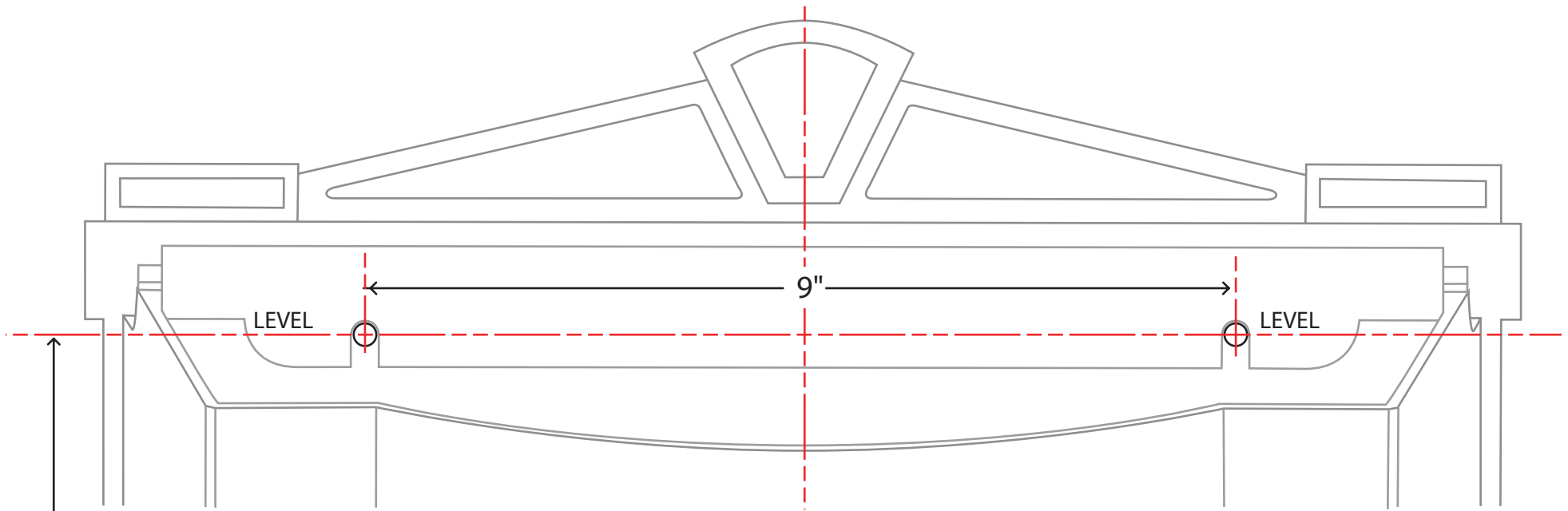


"THE WALLMOUNT" MOUNTING TEMPLATE

(not to scale)



1. Gaines Manufacturing recommends locating mounting screws 51" - 56" above the ground.
2. This location will set the bottom of the box at 40" - 45" above the ground.
3. Please confirm a comfortable height location for those who access mail.
4. Install screws into wall leaving approximately .75" exposed (2 #14 x 2" screws included).
5. Hang and level Wall Box on screws and tighten securely.